

PANEL MOUNT 3AG (1/4" X 1 1/4") FUSEHOLDERS

342 Series (Traditional Panel Mount Type)



**Straight Terminal
Fluted Knob**



**Right Angle Terminal
Knurled Knob**

Description

Panel Mount Fuseholders for 3AG (1/4" x 1 1/4") fuses. Both fluted and knurled knob terminal options.

Ordering Information

Straight Terminal

FLUTED KNOB		KNURLED KNOB		TERMINAL
CATALOG/SYSTEM NUMBER		CATALOG/SYSTEM NUMBER		
342014A	03420014X	342012A	03420012X	Solder
342038A	03420038X	342058A	03420058X	3/16" Q.C.
342838A	03420838X	342858A	03420858X	1/4" Q.C.

Specifications

- Electrical:** Rated at 20 A for any voltage up to 250 V
- Dielectric Strength:** 2400 V minimum
- Mounting:** Withstands 15 lb-in mounting torque; maximum panel thickness: .187"
- Molded Parts:** Black thermoplastic (UL94 V-0)
- Knob:** Bayonet style with lettering
- Terminals:** Copper & copper alloy. Tin plated, except 1/4" Quick-Connect terminals are nickel plated
- Ambient Temperature:** -40°C to +85°C

Recommended Fuses

3AG (1/4" x 1 1/4")

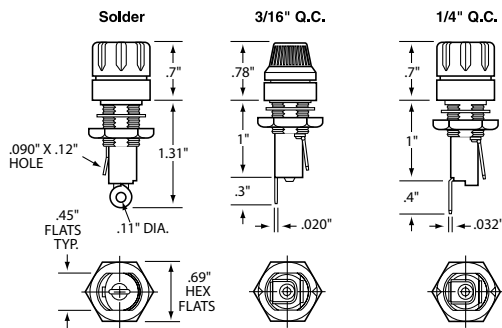
Web Resources

Additional technical information available at:
www.littelfuse.com/342

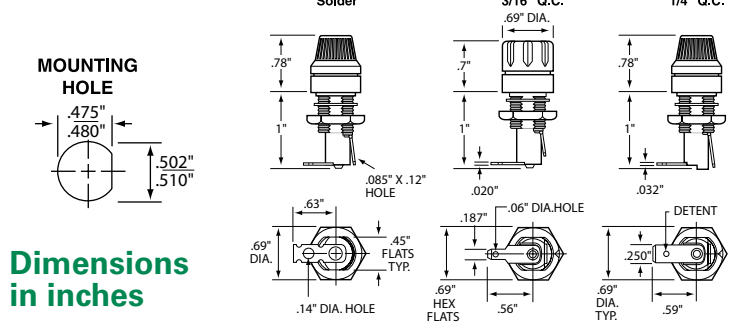
Right Angle Terminal

FLUTED KNOB		KNURLED KNOB		TERMINAL
CATALOG/SYSTEM NUMBER		CATALOG/SYSTEM NUMBER		
342048A	03420048X	342022A	03420022X	Solder
342028A	03420028X	342048A	03420048X	3/16" Q.C.
342838A	03420838X	342858A	03420858X	1/4" Q.C.

Straight Terminal



Right Angle Terminal



Dimensions in inches

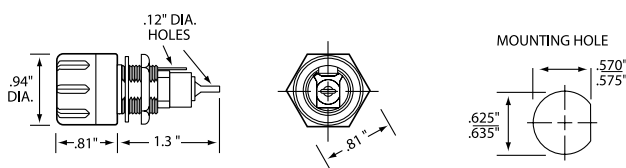
342 Series (Watertight Panel Mount Type)



Web Resources

Additional technical information available at:
www.littelfuse.com/342

Dimensions in inches



Specifications

- Electrical:** Rated at 20 A for any voltage up to 250 V
- Dielectric Strength:** 1500 V minimum
- Mounting:** Withstands 15 lb-in mounting torque; maximum panel thickness is .250"
- Molded Parts:** Black thermoset (UL94 V-0)
- Knob:** Screw type
- Seal:** O-ring provides a watertight seal on the front side of the panel per MIL-PRF-19207
- Terminals:** Copper & copper alloy. Tin plated. Solder type
- Ambient Temperature:** -40°C to +85°C
- Hardware:** O-rings (2) and hex nut, unassembled

Ordering Information

CATALOG NUMBER	SYSTEM NUMBER
342006A	0342006ZX

Recommended Fuses

3AG (1/4" x 1 1/4")